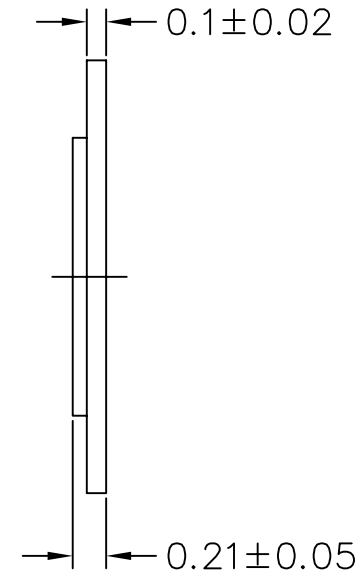
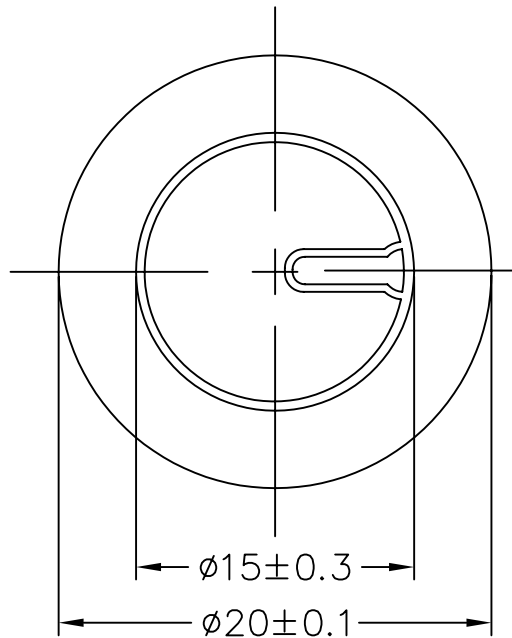


THIS DOCUMENT CONTAINS DATA PROPRIETARY TO PROJECTS UNLIMITED, INC. ANY USE OR REPRODUCTION, IN ANY FORM, WITHOUT PRIOR WRITTEN PERMISSION OF PROJECTS UNLIMITED, INC. IS PROHIBITED.  
 © 2003, Projects Unlimited Inc.

SPECIFICATIONS

PARAMETERS	VALUES	UNITS
RESONANT FREQUENCY	3,700±500	Hz
RESONANT IMPEDANCE (MAX)	500	Ohm
MAX INPUT VOLTAGE	30	Vp-p
CAPACITANCE @ 1KHz	20,000±30%	pF
PLATE MATERIAL	ALLOY	-
OPERATING TEMPERATURE	-20 ~ +70	°C
STORAGE TEMPERATURE	-30 ~ +80	°C




REVISIONS			
LTR	DESCRIPTION	DATE	APPROVED
-	RELEASED FROM ENGINEERING	4/9/02	
A	REVISED TO NEW TEMPLATE	9/4/03	R.W.
B	REVISED SPECIFICATIONS	1/9/04	R.W.
C	REVISED DIMENSION SIZE AND STYLE	01/19/06	B.R.

NOTES:

1. ALL DIMENSIONS ARE IN MILLIMETERS.
2. SPECIFICATION SUBJECT TO CHANGE OR WITHDRAWAL WITHOUT NOTICE.

FILE NAME  
 AB2036AF.DWG

UNLESS OTHERWISE SPECIFIED: DIMENSIONS ARE IN MILLIMETERS; TOLERANCES ARE ±0.5 AND ANGLES ARE ±3°.		 <b>projects® unlimited</b> Dayton, Ohio							
<table border="1"> <tr> <th>APPROVALS</th> <th>DATE</th> </tr> <tr> <td>DRAWN <i>RABL</i></td> <td>4/02</td> </tr> <tr> <td>APPROVED <i>S.J.</i></td> <td>4/02</td> </tr> </table>		APPROVALS	DATE	DRAWN <i>RABL</i>	4/02	APPROVED <i>S.J.</i>	4/02	PIEZO CERAMIC BENDER	
APPROVALS	DATE								
DRAWN <i>RABL</i>	4/02								
APPROVED <i>S.J.</i>	4/02								
<table border="1"> <tr> <th>SIZE</th> <th>DRAWING NO.</th> </tr> <tr> <td>A</td> <td>AB2036AF</td> </tr> </table>		SIZE	DRAWING NO.	A	AB2036AF	DRAWING NO. AB2036AF			
SIZE	DRAWING NO.								
A	AB2036AF								
DO NOT SCALE DRAWING		SCALE: N.T.S.	SHEET 1 OF 1						